

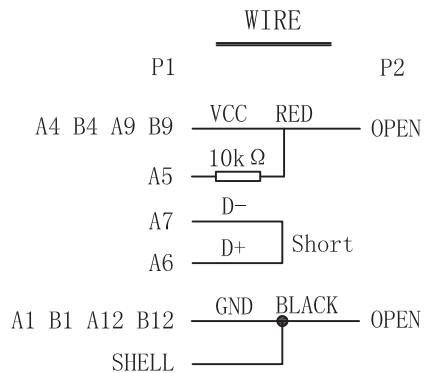
P1

P2

Tin Immersion 5±1

NOTE:

- 1, Contact resistance: 3 ohm
- 2, insulation resistance: 10M ohm/Min
- 3, 100% open/short/miswire test
- 4, HI-POT DC 200V
- 5, Rohs compliant
- 6, Contact current Rating: 5V/3A



4	45P PVC BLACK	16	G
3	PP	6	G
2	TYPE-C MALE, Terminals gold-plated. SHELL Nickel plated. WHITE PBT HOUSING.	1	PC
1	24WG (43/0.08TS+250D Nylon)*2C(red, black), jacket 60P PVC BLACK OD3.5MM	1	PC
NO.	SPECIFICATION	Q' TY	UNIT

A	NEW ISSUE	2019/09/25
REV	DESCRIPTION	DATE
	TOLERANCE	CUSTOMER
		CUST P/N.
SCALE	N/A	REV
UNIT	MM	SHEET
		2019/09/25
		2019/09/25
		2019/09/25
		SNOOC Société Nationale des Objets Connectés