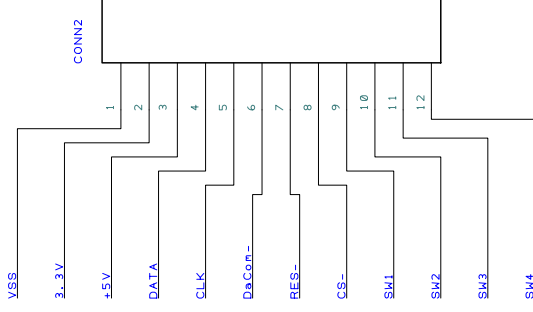
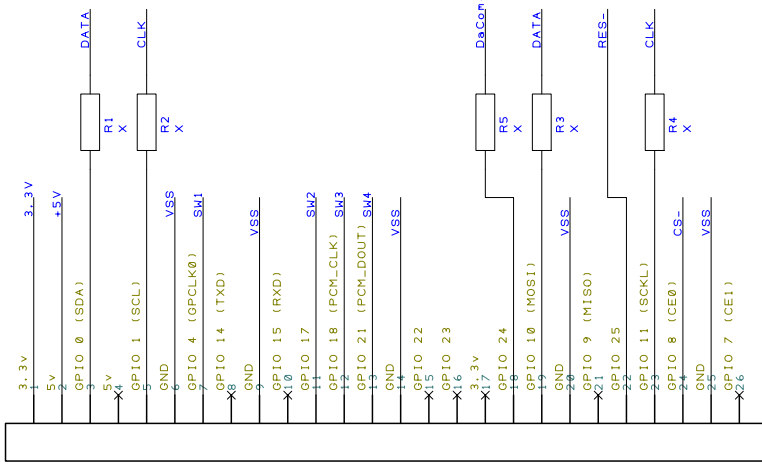


E	D	C	B	A	Drawn	Check	Projection Do Not Scale	Client
Drn	Drn	Drn	Drn	Project				
Chk	Chk	Chk	Chk	Title				



J1 Header
DIL



E	D	C	B	A	Drawn	Check	Projection Do Not Scale	Client	Filename RPIOLED2_CONN	Drawing No.	Sheet 2 of 2
---	---	---	---	---	-------	-------	----------------------------	--------	---------------------------	-------------	-----------------

Drn	Drn	Drn	Drn	Project							
Chk	Chk	Chk	Chk	Title							