

Rev.03

H/W Design Guide

WISOL

Mar 20, 2017

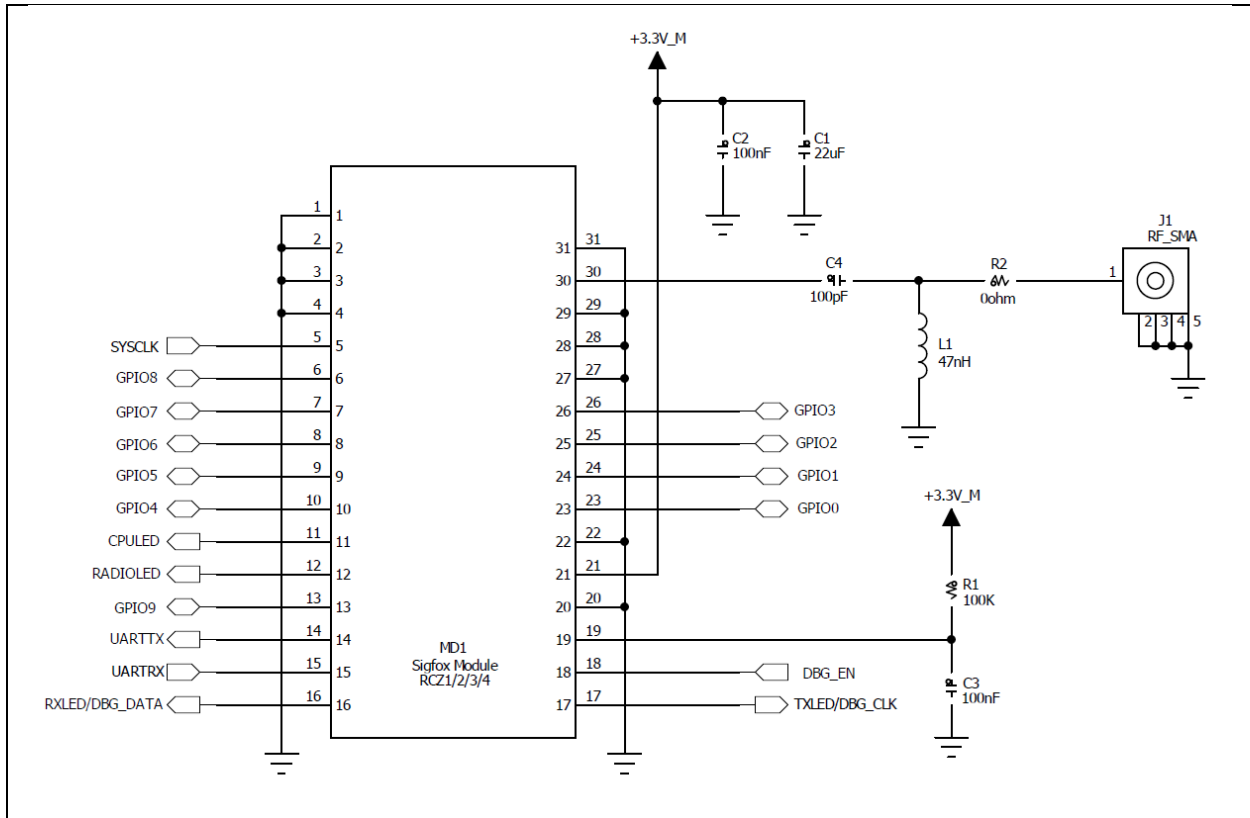
Contents

Circuit Design Guide	3
Layout Design Guide	4

Model	F/W
WSSFM10R1AT, AP	-
WSSFM10R2AT, AP	-
WSSFM10R3AT, AP	-
WSSFM10R4AT, AP	-

Circuit Design Guide

SFM10R Circuit



[Fig1. SFM10R Circuit]

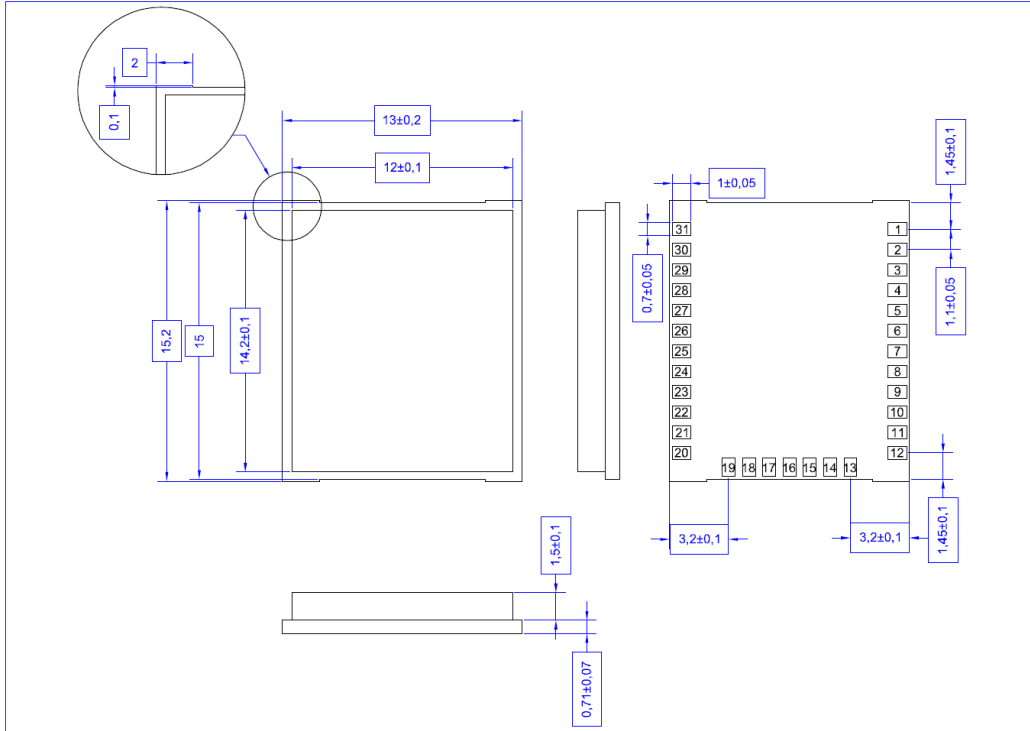
SFM10R Circuit Description

NAME	Description
MD1	Sigfox Module(RCZ1~RCZ4)
+3.3V_M	Module Power supply, Typically 3.3V
J1	RF Input, Output Impedance=50Ω
C1	22uF
C2/ C3	100nF
C4*	100pF
R1	100KΩ
R2	0Ω
L1*	47nH

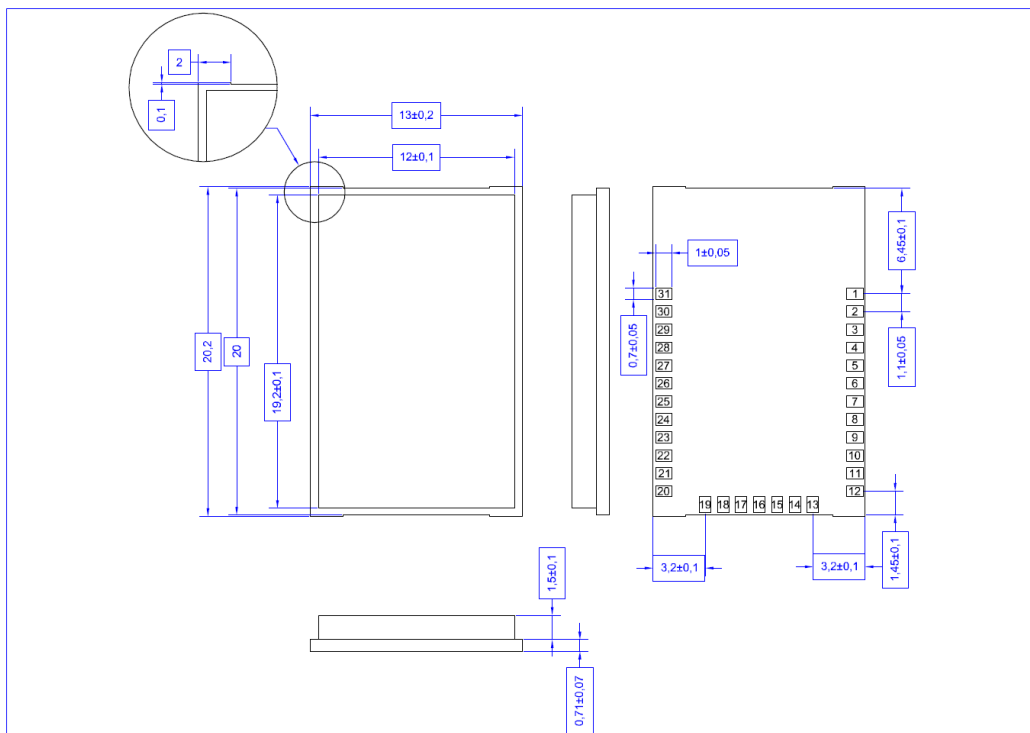
*C4, L1: To increase ESD protection on RF path over +/-2KV, we strongly recommend to add C4,L1 on that line.

Layout Design Guide

Package Information

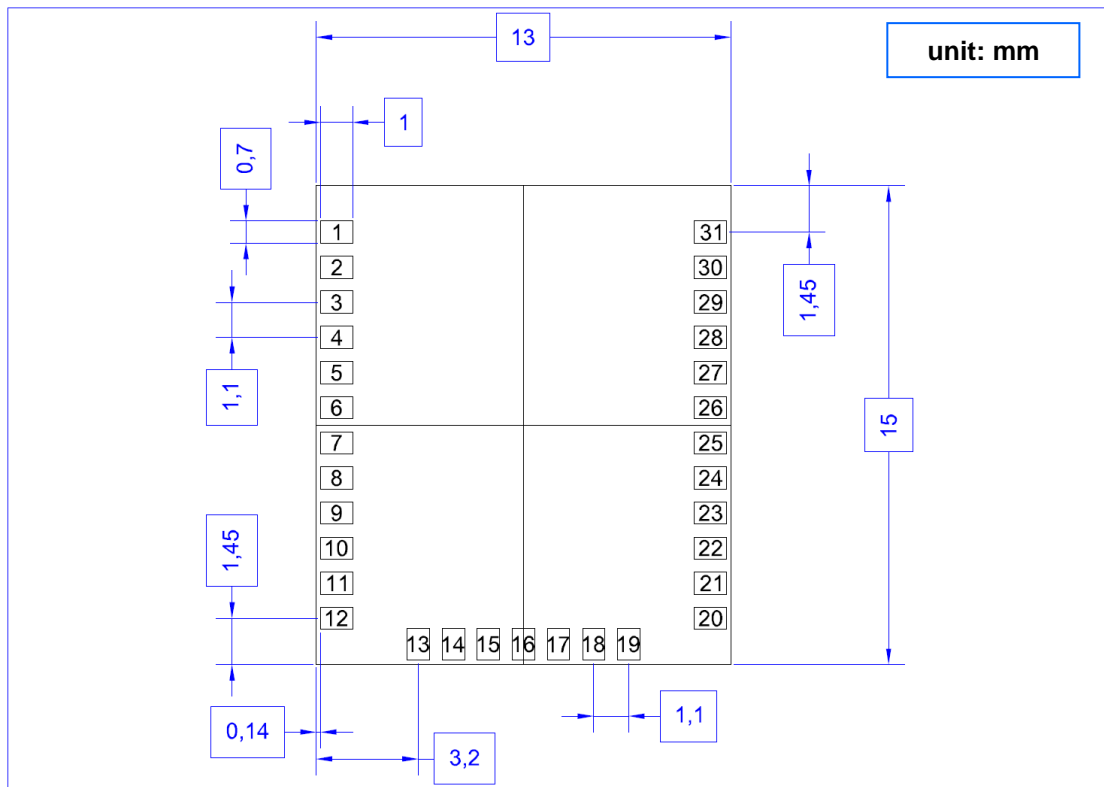


[Fig2. WSSFM10R1/R3]

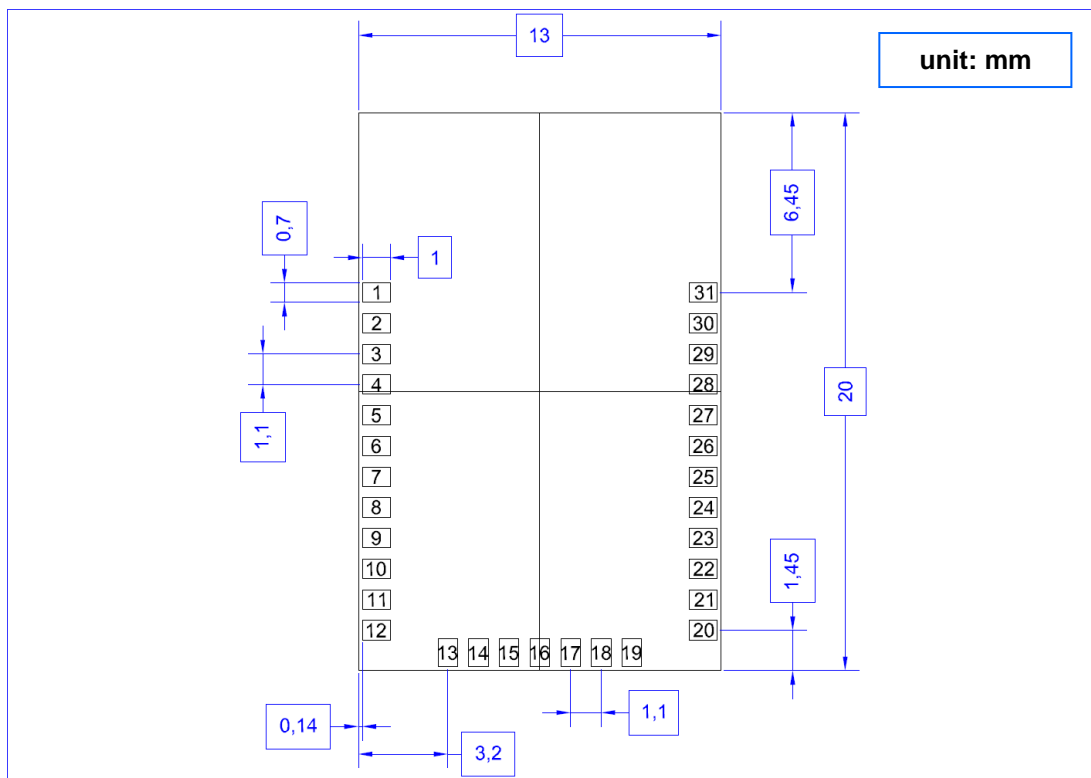


[Fig3. WSSFM10R2/R4]

Recommended Soldering Footprint

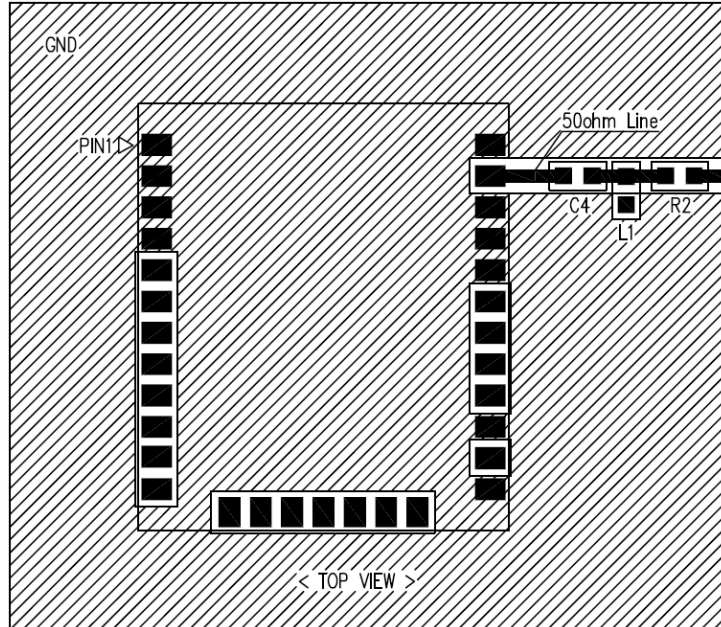


[Fig4. WSSF10R1/R3_TOP View]

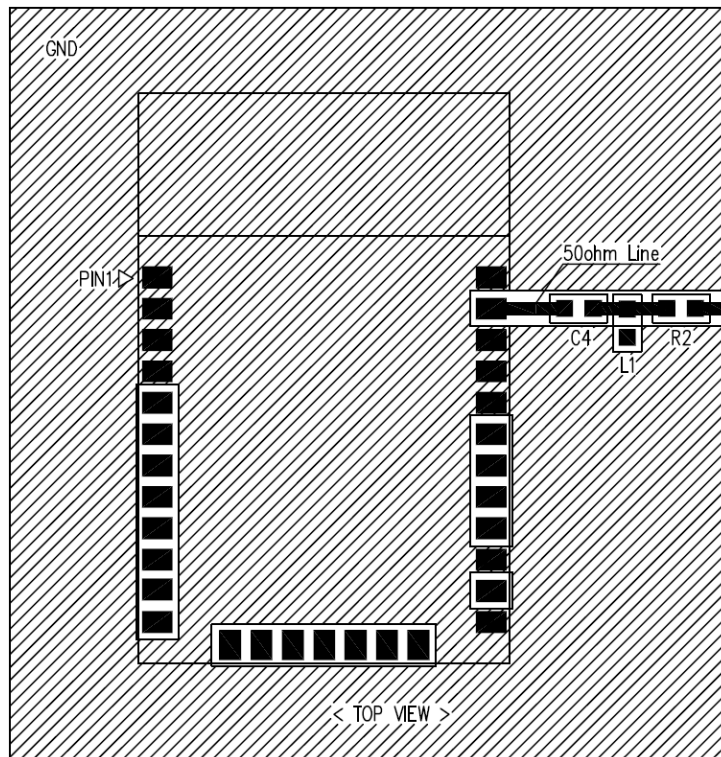


[Fig5. WSSF10R2/R4_TOP View]

Recommended PCB Layout(Exemple)



[Fig6. WSSF10R1/R3_TOP View]



[Fig7. WSSF10R2/R4_TOP View]